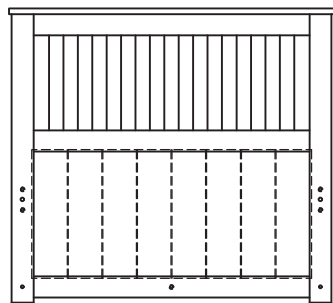


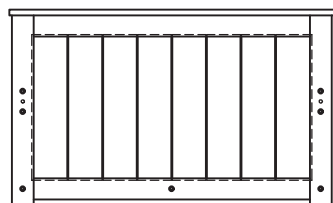
Assembly Instructions Captain 3 Drawer Bed

Part in Box 1



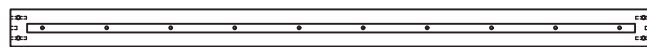
(A) Hb. Panel x 1

Part in Box 2

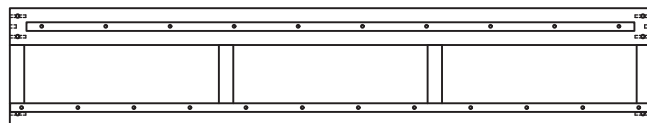


(B) Fb. Panel x 1

Part in Box 3



(C) Side Rail (Back) x 1

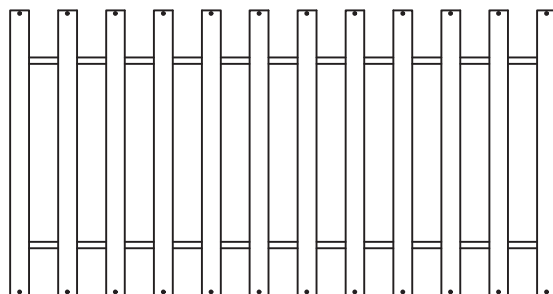


(D) Side Rail (Front) x 1

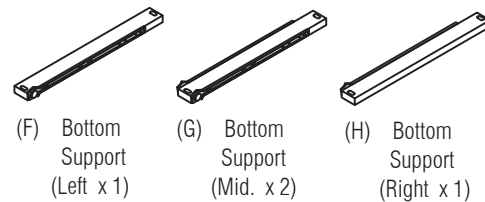


(E) Center Support x 1

Part in Box 4



(N) Set of Slats x 1



(F) Bottom Support (Left x 1)

(G) Bottom Support (Mid. x 2)

(H) Bottom Support (Right x 1)



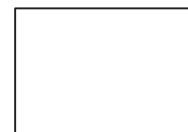
(I) Drawer Front Panel x 3



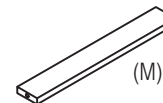
(J) Drawer Back Panel x 3



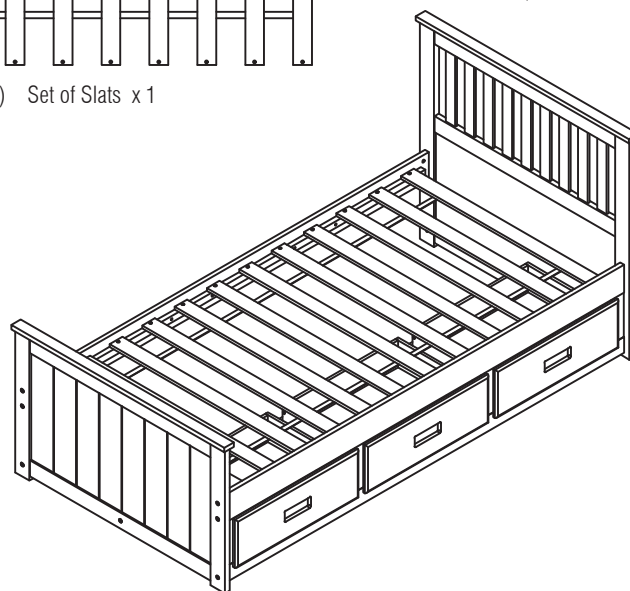
(K) Drawer Side Panel x 6



(L) Drawer Bottom Panel x 3



(M) Drawer Bottom Support x 3



Hardware List

1.	JCBC M6 x 35mm		x 8
2.	CSK Screw M3.5 x 16mm		x 6
3.	JCBC M6 x 70mm		x 10
4.	JCBC M6 x 60mm		x 2
5.	M6 x 15mm Barrel Nut		x 12
6.	Wood Dowel M10 x 30mm		x 4
7.	CSK Screw M4 x 25mm		x 36
8.	Minifix Housing (Short)		x 18
9.	Connecting Bolt (Short)		x 18
10.	Cover Cap		x 2
11.	M4 Allen Key		x 1

Tool required for assembly :

- * Allen Key (supplied)
- * Phillips Screwdriver (not supplied)

Assembly Instructions

Captain 3 Drawer Bed

1

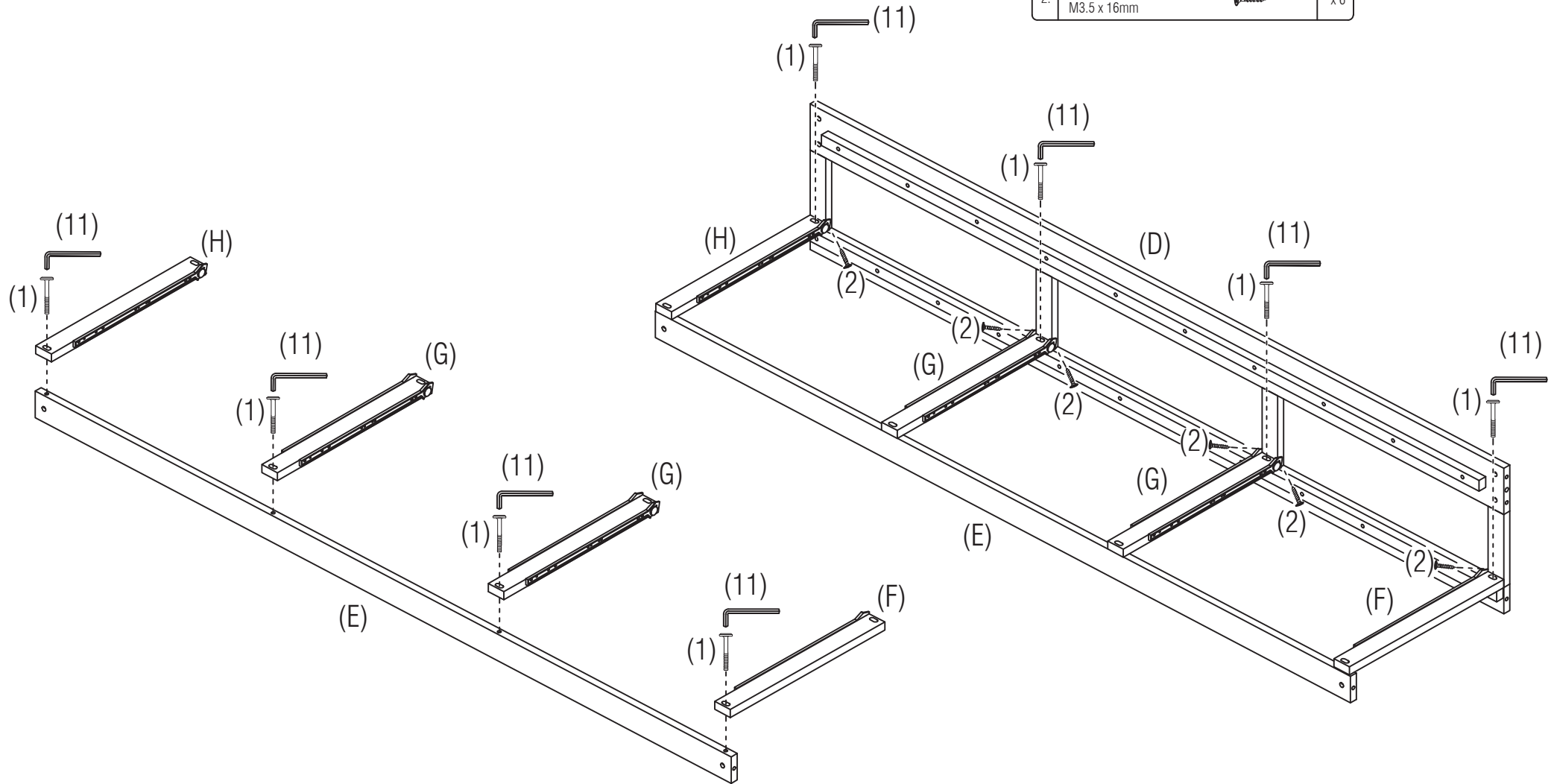
Attach all the Bottom Support (F,G & H) to the Center Support (E).

1.	JCBC M6 x 35mm		x 4
----	-------------------	---	-----

2

Tighten the Bottom Support (F,G & H) to the Front Panel (D).

1.	JCBC M6 x 35mm		x 4
2.	JCBC M3.5 x 16mm		x 6




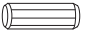


Assembly Instructions

Captain 3 Drawer Bed

3

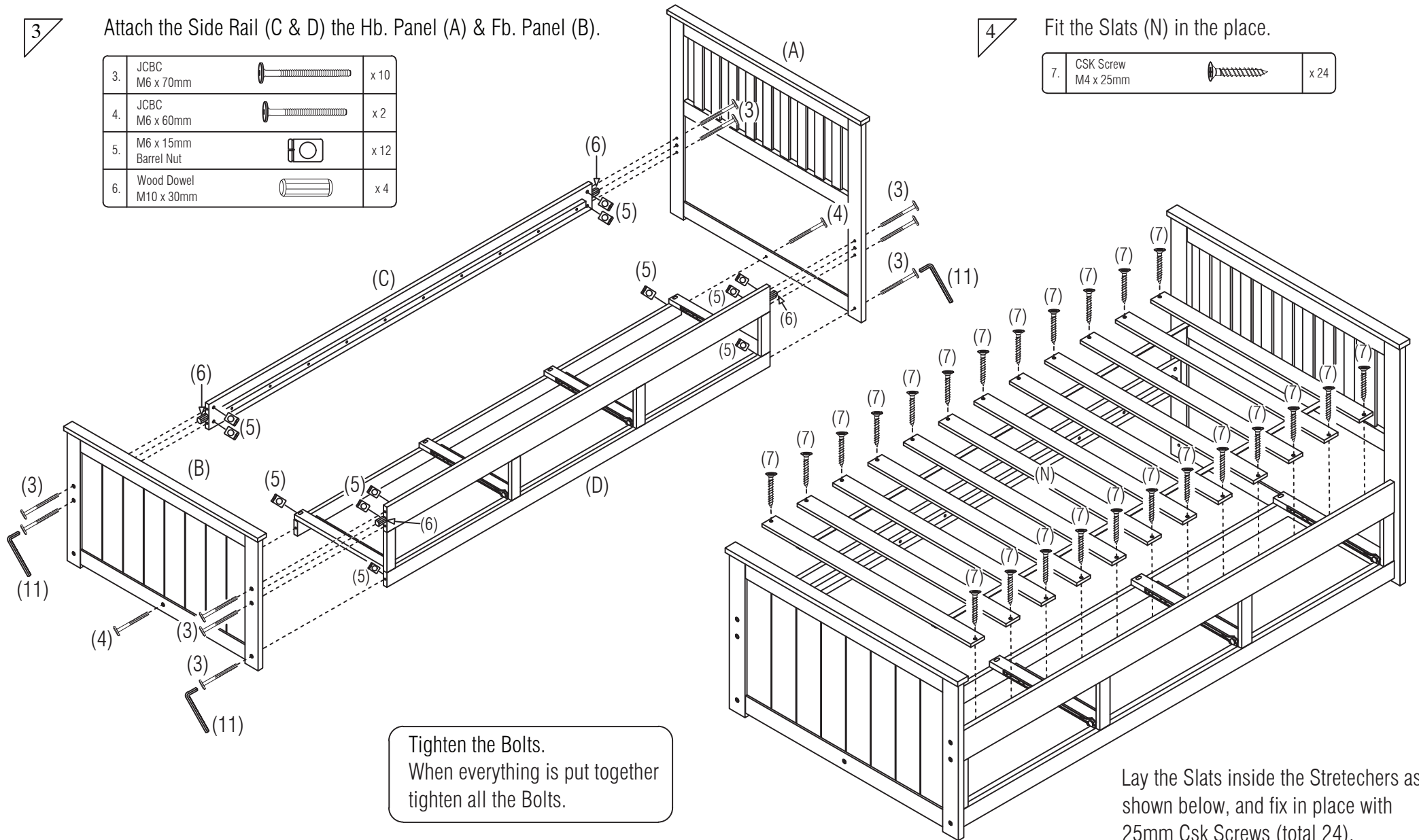
Attach the Side Rail (C & D) the Hb. Panel (A) & Fb. Panel (B).

3.	JCBC M6 x 70mm		x 10
4.	JCBC M6 x 60mm		x 2
5.	M6 x 15mm Barrel Nut		x 12
6.	Wood Dowel M10 x 30mm		x 4

4

Fit the Slats (N) in the place.

7.	CSK Screw M4 x 25mm		x 24
----	------------------------	---	------



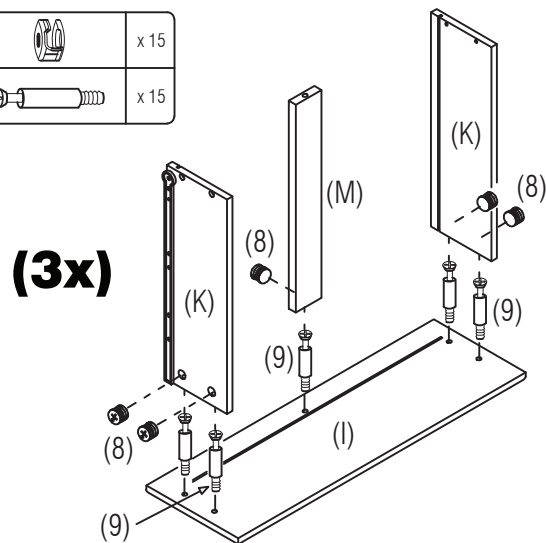
Tighten the Bolts.
When everything is put together
tighten all the Bolts.

Lay the Slats inside the Stretchers as
shown below, and fix in place with
25mm Csk Screws (total 24).

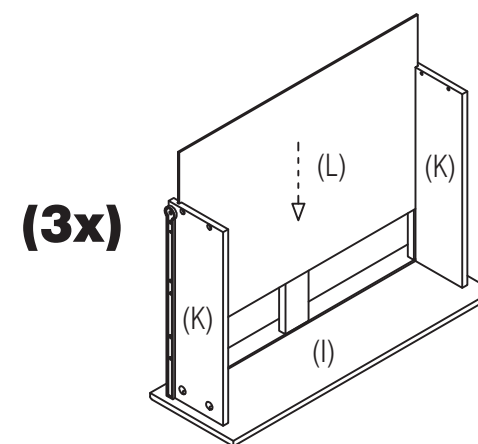
Assembly Instructions Captain 3 Drawer Bed

5 Fit the Drawer Side Panel (K) and Drawer Bottom Support (M) onto Drawer Face (I).

8.	Minifix Housing (Short)		x 15
9.	Connecting Bolt (Short)		x 15

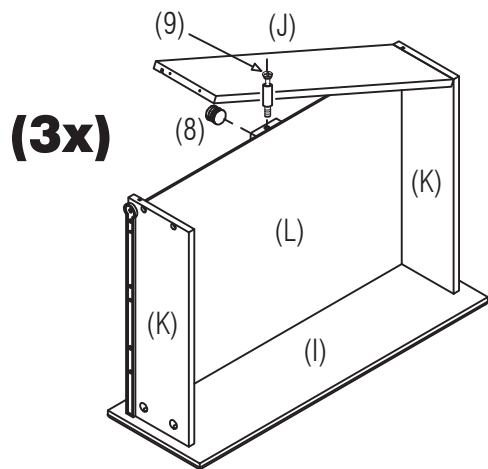


6 Fit the Drawer Bottom Panel (L) in the place.



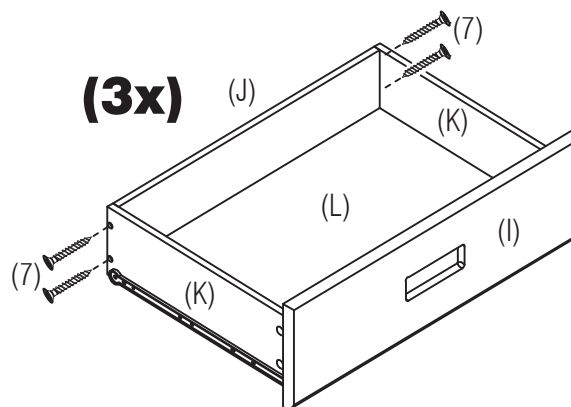
7 Fit the Back Panel (J).

8.	Minifix Housing (Short)		x 3
9.	Connecting Bolt (Short)		x 3



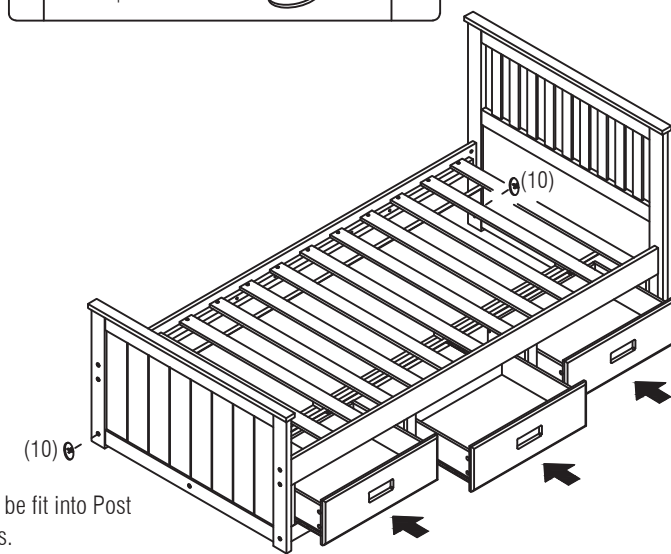
8 Secure the Drawer Back Panel (J) with Csk Screw (7) as Shown.

7.	CSK Screw M4 x 25mm		x 12
----	---------------------	--	------



9 Insert the assembled Drawers.

10.	Cover Cap		x 2
-----	-----------	--	-----



Remark ***
Plastic Cover to be fit into Post for unused sides.